



HEXAGON
MANUFACTURING INTELLIGENCE



TESA
TECHNOLOGY

brown & sharpe

BEST DEALS



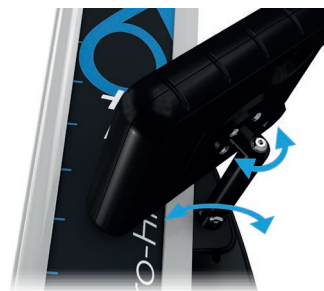
TESA Brown & Sharpe measurement tools and solutions:
perfection down to the detail for every user!

Valid until 04.30.2018
Prices exclude VAT
Version B&S - EN - USD

TESA MICRO-HITE

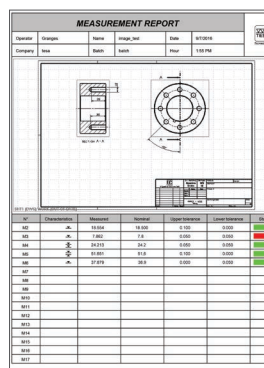
Motorized or manual – the ultimate reference

With adjustable hybrid multi-user panel (touch screen + keyboard)



SCS-certificate included: instrument ready for immediate use

Efficient determination of the culmination points with the LED control light



Easy data transfer to USB stick / printer / PC

NEW!
Generate a PDF measuring report directly from the program



<http://go.hexagonmi.com/MICRO-HITEvideo>



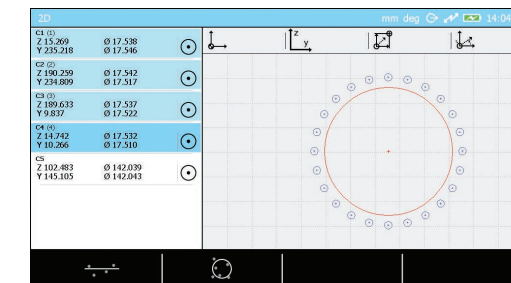
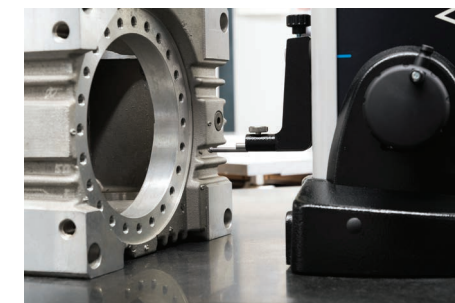
NEW!

Worry free thanks to the highest quality standard and 4 years of warranty for all new TESA MICRO-HITE models

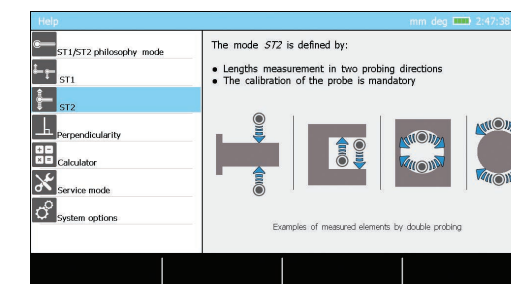


Warranty conditions on our website

Finally, easy 2D-measurement due to clear graphic visualization



Context-based help – intelligent user follow-up



FREE

Free battery kit with purchase!

Battery kit includes battery and loading station. A \$258 value!



00760252

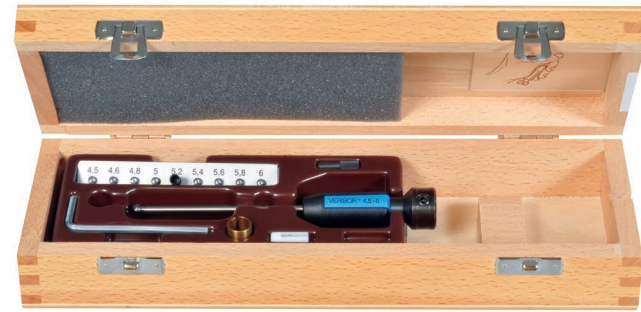
Order Number	EDP Number	Designation	Reg. Price (\$)
00730073	76639	MICRO-HITE 350 manual	8500
00730074	76640	MICRO-HITE 600 manual	9000
00730075	76641	MICRO-HITE 900 manual	11100
00730076	76620	MICRO-HITE 350F manual, fine adjustment	8900
00730077	76621	MICRO-HITE 600F manual, fine adjustment	9500
00730078	76623	MICRO-HITE 900F manual, fine adjustment	11500
00730079	76624	MICRO-HITE+M 350 motorized	8900
00730080	76625	MICRO-HITE+M 600 motorized	9500
00730081	76626	MICRO-HITE+M 900 motorized	11500
00760252	76629	Battery kit with battery and loading station	Free with purchase



VERIBOR BORE GAGES

High precision (max. permissible errors 0.00008 in, repeatability: 0.00002 in), two-point measurement of inside diameters. The best choice for the detection of roundness errors.

- No mechanical play due to circular reversing element
- Invar steel body and plastic hand grip ensures high stability and no effect from temperature
- Centering shoe for correct alignment of the instrument into the bore
- Tungsten carbide tips for high resistance to wear



5710012



Order Number	EDP Number	Measuring Range (in)	Reg. Price (\$)	Promo Price (\$)
5710012	41420	.177 - .236	1798	1150
5710013	41421	.236 - .472	1299	845
5710014	41422	.472 - .984	722	495
5710015	41423	.984 - 1.97	778	545
5710016	41424	1.97 - 5.91	916	640
5710017	41425	9.44 - 21.7	2016	1410
5710018	41426	1.97 - 11.81	1268	825

VERIBOR can be used with dial indicator, digital indicator or an inductive probe and TESATRONIC display.

DIAL GAGES

- The best accuracy and reliability
- DIGICO 705 features a bar graph on the display and a preset function that allows the display to be set to the smallest setting ring value

Order Number	EDP Number	Description	Measuring Range (in)	Numerical Scale Interval	Reading	Reg. Price (\$)	Promo Price (\$)
01426028	20378	MERCER Dial indicator, 2.25 in dial diameter	0.2	0.0001	0 - 50 - 0	448	335
01930258	46987	DIGICO 705 MI, 2.25 in dial diameter	0.5	0.00005		589	395



01426028

01930258

TESA INDUCTIVE PROBES

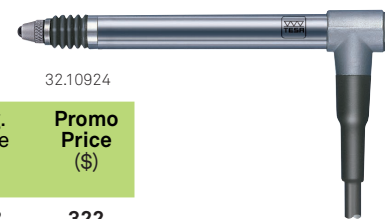
- Excellent repeatability, durability and longevity
- The measuring bolt is mounted on ball bearings and is virtually unaffected by radial forces. Protected against the penetration of solid and liquid contaminants by rubber sealing bellows
- Probe inserts can be replaced or interchanged

Order Number	EDP Number	Description	Measuring Range (in)	Repeatability Limit (µm)	Measuring Force (N)	Maximum Permissible Linearity Errors (µm)	Reg. Price (\$)	Promo Price (\$)
32.10904	41002	GT-21 probe with axial cable exit	± .040	0.01	0.63	0.2 + 3 · L ³ *	402	322
32.10924	41010	GT-22 probe with radial cable exit	± .040	0.01	0.63	0.2 + 3 · L ³ *	417	334

* Note: Linearity related to max. perm. errors (L in mm).



32.10904



32.10924

TESATRONIC ELECTRONIC DISPLAYS

Intelligent display units, combined digital and analog display, for 1 or 2 inductive probes

Starting at
\$1,270

- Choice of analog or bar display
- Inch/metric conversion
- Ability to set permissible limit values
- TESATRONIC TT60 & TT80 features a memory function for retaining MAX, MIN and other values, as well as dynamic measuring capabilities and value classification signals.



04430010

Order Number	EDP Number	Description	Number of Probe Inputs	Number of Measuring Range Settings	Lowest Range Value	Highest Range Value	Numerical Interval	Memory	Reg. Price (\$)	Promo Price (\$)
04430009	21087	TESATRONIC TT20	2	7	± 5 µm	± 5000 µm	0.1 µm	No	1590	1270
04430010	47179	TESATRONIC TT60	2	7	± 5 µm	± 5000 µm	0.1 µm	Yes	2228	1780
04430011	21088	TESATRONIC TT80	2	9	± 0.5 µm	± 5000 µm	0.01 µm	Yes	2676	2140

TESA µ-FINDER SET 31 AND SET 22

- A mobile, high precision set for quality control and service in a practical transport case
- Use Set 31 for alignment measurements and run-out
- Use Set 22 for comparative measurement applications

\$1,888

Order Number	EDP Number	Designation	Reg. Price (\$)	Promo Price (\$)
04430013P1		TESA µFinder Set 31	2476	1888
Contains:				
04430013	45612	TESA TWIN-T10 display unit	1448	1160
32.10802	86188	GT 31 lever probe	908	725
16.39007	88386	Magnetic support INTERAPID UJ15	168	134
04430013P2		TESA µFinder Set 22	2027	1555
Contains:				
04430013	45612	TESA TWIN-T10 display unit	1448	1160
32.10924	41010	GT 22 probe	417	334
16.39007	88386	Magnetic support INTERAPID UJ15	168	134



04430013P1

\$1,555

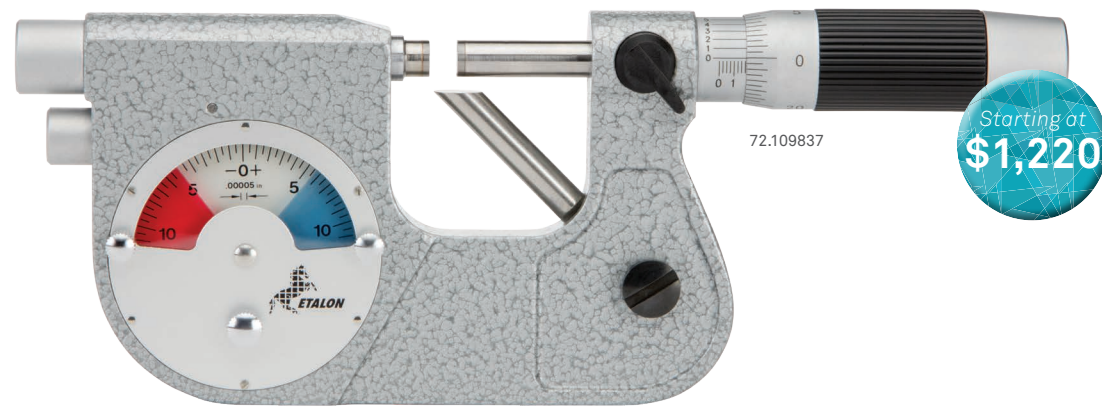


04430013P2

MICRO-ETALON 225 MICROMETER WITH DIAL INDICATOR

- The nominal dimensions are set on the micrometer while deviations are read on the dial indicator
- Benchmarks tolerances of the adjustable indicator in 2 colors for a quick check
- Retractable anvil by means of a push-button
- Micrometer with vernier reading to .0001 in and dial indicator .00005 in

Order Number	EDP Number	Measuring Range (in)	Inserts	Reg. Price (\$)	Promo Price (\$)
72.109837	41588	0-1	Standard inserts	1452	1220
72.109843	41590	1-2	Standard inserts	1527	1285
72.109857	41591	0-0.800	Pointed inserts	1544	1295



TESAMASTER PRECISION MICROMETER

- Silky smooth operation
- Easy, parallax free reading of the thousands of an inch units on the vernier
- Carbide measuring faces
- Thumb lock

Order Number	EDP Number	Measuring Range (in)	Maximum Permissible Errors (in)	Maximum Permissible Parallelism Error (µm)	Reg. Price (\$)	Promo Price (\$)
03.20001	42443	0-1	.0001	1	415	350

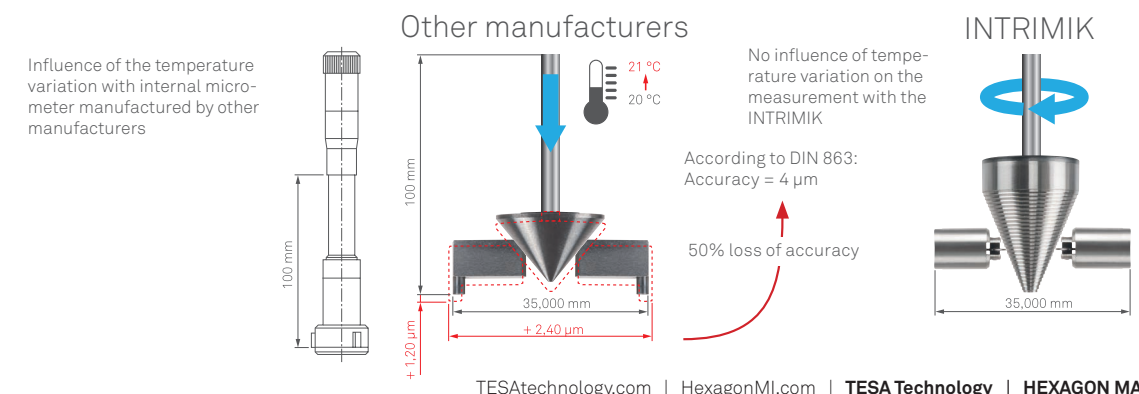


INTRIMIK INTERNAL MICROMETERS - FULL SETS

- A wide range of measuring flexibility
- Tools, setting rings and extensions in one set
- Each set includes an extension for reaching deeper into bores



Order Number	EDP Number	Full Range of Set	Individual Unit Number	Individual Unit Range (in)	Rings in Set (in)	Extension (in)	Reg. Price (\$)	Promo Price (\$)
00880100	20214	.275 - .500"	599-281-3	.275 - .350	.350, .425	4	2060	1650
			599-281-4	.350 - .425				
			599-281-5	.425 - .500				
00880400	20215	.500 - .800"	599-281-6	.500 - .600	.500, .700	6	2193	1750
			599-281-7	.600 - .700				
			599-281-8	.700 - .800				
00881200	20216	.800 - 1.600"	599-281-10	.800 - 1.000	1.000, 1.400	6	3154	2520
			599-281-12	1.000 - 1.200				
			599-281-14	1.200 - 1.400				
			599-281-16	1.400 - 1.600				
00881900	20217	1.600 - 4.000"	599-281-20	1.600 - 2.000	2.000, 2.800, 3.600	6	6349	5080
			599-281-24	2.000 - 2.400				
			599-281-28	2.400 - 2.800				
			599-281-32	2.800 - 3.200				
			599-281-36	3.200 - 3.600				
00882700	20218	4.000 - 8.000"	00882701	4.000 - 5.000	5.000, 7.000	6	8186	6550
			00882702	5.000 - 6.000				
			00882703	6.000 - 7.000				
			00882704	7.000 - 8.000				



DIGITAL CALIPERS BROWN & SHARPE TWIN-CAL IP67

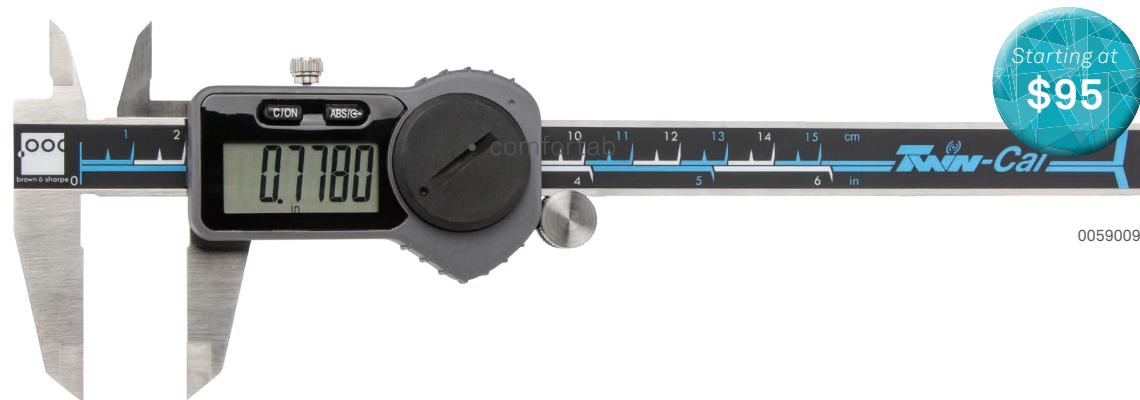
- Highest IP67 protection against liquids and dust, even with output cable connected
- Large display and “Soft touch” features for comfortable measurement
- Bidirectional communication via cable or wireless mode



Order Number	EDP Number	Description	Measuring Range (in)	Thumb Roller	Depth Rod	Reg. Price (\$)	Promo Price (\$)
00590302	47236	Brown & Sharpe TWIN-CAL IP67	0 ÷ 6	▲	●	199	149
00590303	47237	Brown & Sharpe TWIN-CAL IP67	0 ÷ 6	▲	■	199	149
00590304	47238	Brown & Sharpe TWIN-CAL IP67	0 ÷ 8	▲	■	276	199
00590305	47239	Brown & Sharpe TWIN-CAL IP67	0 ÷ 12	▲	■	379	288

BROWN & SHARPE TWIN-CAL

- Same measuring system as the IP67 version
- Great reading comfort
- Bidirectional communication at the best price



Order Number	EDP Number	Description	Measuring Range (in)	Thumb Roller	Depth Rod	Reg. Price (\$)	Promo Price (\$)
00590092	47473	Brown & Sharpe TWIN-CAL	0 ÷ 6	▲	●	143	95
00590093	47474	Brown & Sharpe TWIN-CAL	0 ÷ 6	▲	■	143	95
00590094	47475	Brown & Sharpe TWIN-CAL	0 ÷ 8	▲	■	196	139
00590095	47476	Brown & Sharpe TWIN-CAL	0 ÷ 12	▲	■	276	189

▲ Calipers with thumb roller ● Calipers with round depth rod ■ Calipers with square depth rod



BROWN & SHARPE VALUELINE IP67

- Ideal for all workshop conditions
- The IP67 protection at the best price
- Without data output



Order Number	EDP Number	Description	Measuring Range (in)	Thumb Roller	Depth Rod	Reg. Price (\$)	Promo Price (\$)
00599390	45601	Brown & Sharpe VALUELINE IP67	0 ÷ 6	▲	■	143	89
00599391	76599	Brown & Sharpe VALUELINE IP67	0 ÷ 6	▲	●	143	89
00599392	45602	Brown & Sharpe VALUELINE IP67	0 ÷ 8	▲	■	196	129
00599393	45603	Brown & Sharpe VALUELINE IP67	0 ÷ 12	▲	■	276	179

▲ Calipers with thumb roller ● Calipers with round depth rod ■ Calipers with square depth rod



PARALLEL SETS AND ADJUSTABLE PARALLELS

ULTRA THIN PARALLEL SET

Set of 10 pairs. Supplied in custom molded case.

- Made from high-grade alloy steel, hardened and ground from 1/32" stock with 2 holes in each parallel
- 10 pairs, 6" length, 1/32" width
- 1/2", 5/8", 3/4", 7/8", 1", 1-1/8", 1-1/4", 1-3/8", 1-1/2", 1-5/8"

Order Number	EDP Number	Length	Accuracy	Hardness	Reg. Price (\$)	Promo Price (\$)
599-921-20	26884	1/32"W x 6"L	Parallelism: ±.0001" Paired in Height ±.0001"	50HRC	220	185



\$185

599-921-20

ULTRA PRECISION PARALLEL SET

Set of 10 pairs. Supplied in custom molded case.

- Made from high-grade alloy steel, hardened and ground from 1/8" stock with 2 holes in each parallel
- 10 pairs, 6" length, 1/8" width
- 1/2", 5/8", 3/4", 7/8", 1", 1-1/8", 1-1/4", 1-3/8", 1-1/2", 1-5/8"

Order Number	EDP Number	Length	Accuracy	Hardness	Reg. Price (\$)	Promo Price (\$)
599-921-10	86615	1/8"W x 6"L	Parallelism: ±.0002" Paired in Height ±.0001"	58-63HRC	358	295



\$295

599-921-10

STEEL PARALLEL SET

Set of 9 pairs. Supplied in custom molded case.

- Made from high-grade alloy steel, hardened and ground from 1/4" stock with 2 holes in each parallel
- 9 pairs, 6" length, 1/4" width
- 3/4", 7/8", 1", 1-1/8", 1-1/4", 1-3/8", 1-1/2", 1-5/8", 1-3/4"

Order Number	EDP Number	Length	Accuracy	Hardness	Reg. Price (\$)	Promo Price (\$)
599-921-4	26882	1/4"W x 6"L	Parallelism: ±.0002" Paired in Height ±.0002"	52-58HRC	465	395



\$395

599-921-4

ADJUSTABLE PARALLEL SET

Used as parallels for checking, marking, or positioning work.

- Handy gages for measuring inside dimensions of recesses or slots, or for setting tools

Order Number	EDP Number	Range	No. of Parallels	Reg. Price (\$)	Promo Price (\$)
599-673-20	44516	3/8" to 2 1/4"	6	176	145



\$145

599-673-20

V-BLOCK S & CLAMP

599-749

- Made in numbered pairs from mild steel
- Surfaces (except V) are square and parallel within .002 in
- V-grooves are square and parallel with all surfaces within .0035 in

599-749-1

For larger, heavier work. Blocks feature two clamping grooves. Lower grooves permit blocks to be clamped to table.

- Made in numbered pairs from mild steel
- Surfaces (except V) are square and parallel within .003 in
- V-grooves are square and parallel with all surfaces within .002 in
- V-groove is 90° ± 1/2°
- V's of pairs are central and parallel to each other within .004 in

599-750-2

- Stepped groove construction
- Made of case hardened steel in numbered pairs
- Clamps within grooves permit use on sides
- V-groove is 90° +.0000 in/- .0003 in
- Corresponding dimensions for each pair are alike within .0003 in

PERMANENT MAGNETIC BLOCK

- Working surface and base are ground parallel
- Back end is square with working surface
- Removable stop plates provided for back end and one for use on either side
- Supplied in finished wooden case

Order Number	EDP Number	Description	Dimensions (in)	Capacity (in)	Reg. Price (\$)	Promo Price (\$)
599-749	44532	Two V-Blocks and one clamp	1.5 square x 2 long	1.5 dia.	242	195
599-749-1	44533	Two V-Blocks and one clamp	2.5 square x 3 long	.5 to 2.5 dia.	338	280
599-750-2	44535	Two V-Blocks and two clamps	2.5 long x 2.75 wide x 2 tall	2 dia.	625	520
599-760	44550	Permanent magnetic block	5.25 long x 2.4375 wide x 2.4375 tall		1073	880

\$195



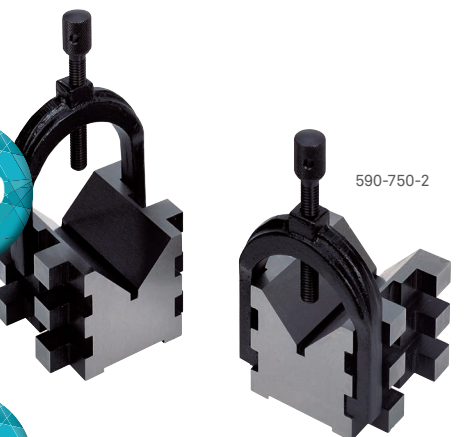
599-749

\$280



599-749-1

\$520



599-750-2

\$880



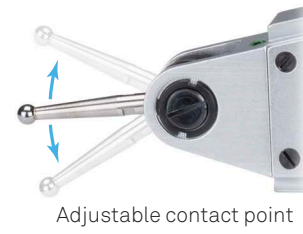
599-760

LEVER-TYPE DIAL TEST INDICATORS

BESTEST - 5 SERIES

Easy-to-read, satin black, “jet-console” face BesTest® Indicators with high visibility orange hand. Each BesTest® Indicator set comes complete with one carbide tip contact point, .080” diameter; one 1/2” long x .250” diameter extension with dovetail; one contact point wrench; one durable molded case and certificate of accuracy and traceability.

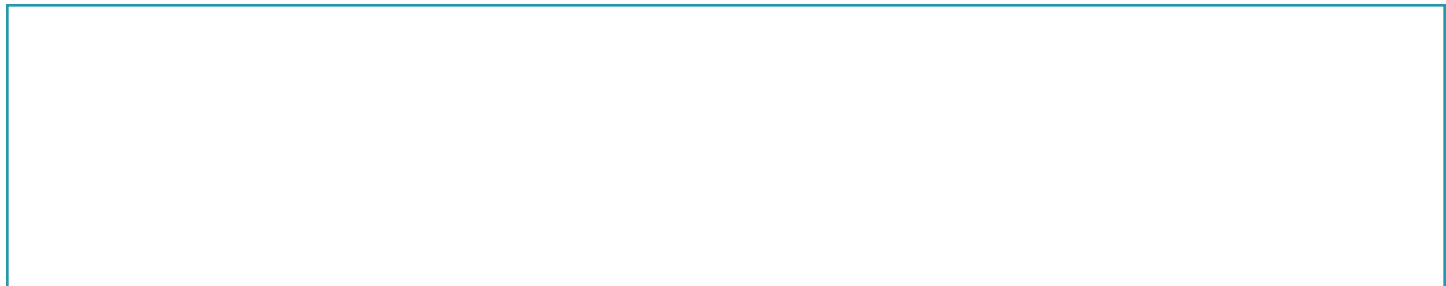
- Continuous clockwise pointer rotation providing error-free reading
- High accuracy and very low measuring force of the jewelled movement with 7 rubies
- Durability thanks to its patented shockproof system; insensitive to magnetic fields



Order Number	EDP Number	Range	Smallest Marking	Dial Division	Point Dia.	Tip Length	Dia.	Reg. Price (\$)	Promo Price (\$)
599-7029-5	51732	.030"	0-15-0	.001"	1"	1/2"	.080"	179	143
599-7030-5	51733	.030"	0-15-0	.0005"	1"	1/2"	.080"	183	146
599-7031-5	51734	.030"	0-15-0	.0005"	1-1/2"	1/2"	.080"	204	163
599-7032-5	51737	.008"	0-4-0	.0001"	1"	1/2"	.080"	245	196
599-7033-5	51738	.008"	0-4-0	.00005"	1-1/2"	1/2"	.080"	258	206
599-7034-5	51735	.020"	0-10-0	.0005"	1"	1-7/16"	.080"	228	182
599-7035-5	51736	.020"	0-10-0	.0005"	1-1/2"	1-7/16"	.080"	248	198



Since 2001, the long metrology tradition of the Brown & Sharpe brand has been integrated under TESA Technology, the premier Swiss precision measuring instruments manufacturer. TESA is part of Hexagon Manufacturing Intelligence, the world’s largest metrology product provider. TESA and Brown & Sharpe have solid roots in precision metrology and continue to lead the industry with innovative technologies. Our premium hand tools are the first choice for reliability, helping customers improve their quality control and increase their productivity.



We reserve the right to make changes to our products, especially due to technical improvements and further developments. All illustrations and technical data are therefore without guarantee. All prices shown are non-binding price recommendations.