

# Linear Height LH-600E Promo **10% Off**

Effective February 1, through March 31, 2017



**Mitutoyo**

# Linear Height LH-600E Promo

# 10% Off

Effective February 1, through March 31, 2017

Promo Price  
**\$7,632**

Order No. 518-351A-21  
standard



Promo Price  
**\$8,091**

Order No. 518-352A-21  
with power grip



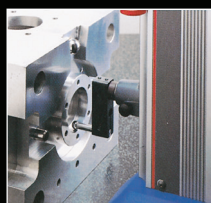
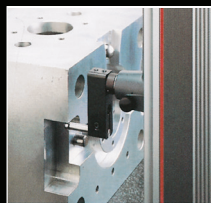
## Linear Height LH-600E

The Mitutoyo Linear Height LH-600E offers advanced performance for reliable and easy 2D measurement.

Measuring Range (stroke) 0–38" (24") / 0–972mm (600mm)

### FEATURES

- True 2-D measurement
- High Accuracy:  $(1.1+0.6L/600)\mu\text{m}$  (L=Length of mm)
- Measuring Range (Stroke): 0-38" (24"), 0-972mm (600mm)
- Selectable Resolution: .000001"/.00001"/.0001"/.001"/.0001mm/0.001mm/.01mm/0.1mm
- Basic statistical functions are provided
- RS-232C data output provides the option of evaluating measurement data externally with SPC software on a PC
- USB Data Storage
- One-key operation for running semiautomatic measurement
- Data entry from a Digimatic tool
- Highest functionality: 21 parameters
- Pneumatic full/semi floating system
- Holds 60,000 data points
- Bright, back-lit LCD

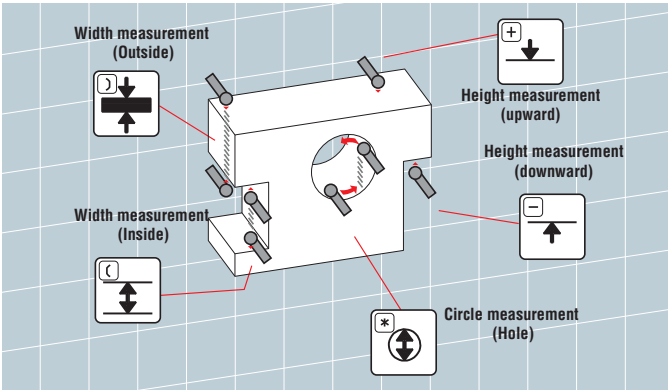


518-351A-21

**Mitutoyo**



# Linear Height LH-600E



Frequently used measurements



Numerous optional probes enable many types of measurement



Optional thermal printer



Scan this code to view  
a demo video of the  
**Linear Height LH 600E**

Distributed By:

Note: All information regarding our products, and in particular the illustrations, drawings, dimensional and performance data contained in this printed matter as well as other technical data are to be regarded as approximate average values. We therefore reserve the right to make changes to the corresponding designs. The stated standards, similar technical regulations, descriptions and illustrations of the products were valid at the time of printing. In addition, the latest applicable version of our General Trading Conditions will apply. Only quotations submitted by ourselves may be regarded as definitive. Mitutoyo products are subject to US Export Administration Regulations (EAR). Re-export or relocation of Mitutoyo products may require prior approval by an appropriate governing authority.

#### Trademarks and Registrations

Designations used by companies to distinguish their products are often claimed as trademarks. In all instances where Mitutoyo America Corporation is aware of a claim, the product names appear in initial capital or all capital letters. The appropriate companies should be contacted for more complete trademark and registration information.

We reserve the right to change specifications and prices without notice.

# Mitutoyo

**Mitutoyo America Corporation**

www.mitutoyo.com

One Number to Serve You Better

1-888-MITUTOYO (1-888-648-8869)

#### M<sup>3</sup> Solution Centers:

Aurora, Illinois (Headquarters)

Boston, Massachusetts

Huntersville, North Carolina

Mason, Ohio

Plymouth, Michigan

City of Industry, California

Birmingham, Alabama

Renton, Washington

Houston, Texas